



www.pumps.com.tw

# RS-E series

## Energy Efficient Auto On/Off Water Removal Pump

**Appropriate fluids :** Clean Water  
**Liquid temperature :** 0 °C to 40 °C / +32 °F to +104 °F  
**HP range :** 1/6 to 1/2 HP / 120 W to 400 W  
**pH :** 6 to 8  
**Protection class :** IP68  
**Maximum immersion depth :** 6M  
**Solid pass :** 3mm



Basement



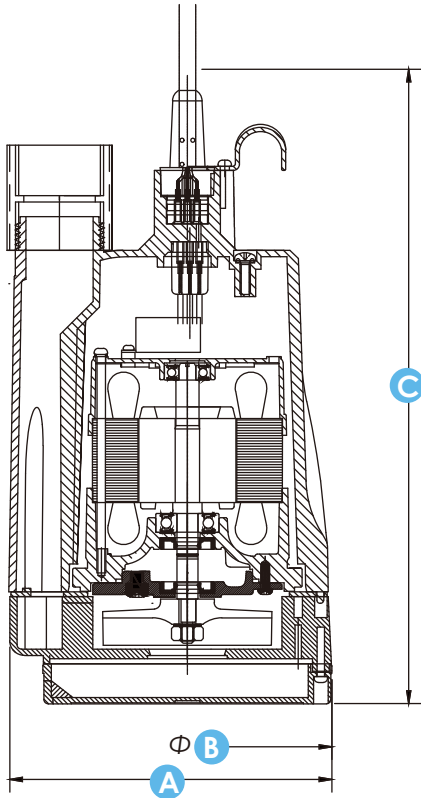
Window wells



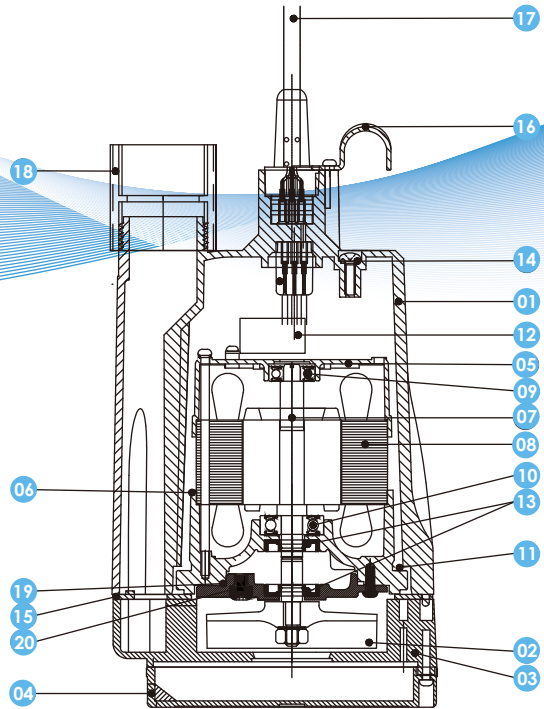
Rooftop Garden  
Sprinkling/Dewatering

HUNG PUMP GROUP

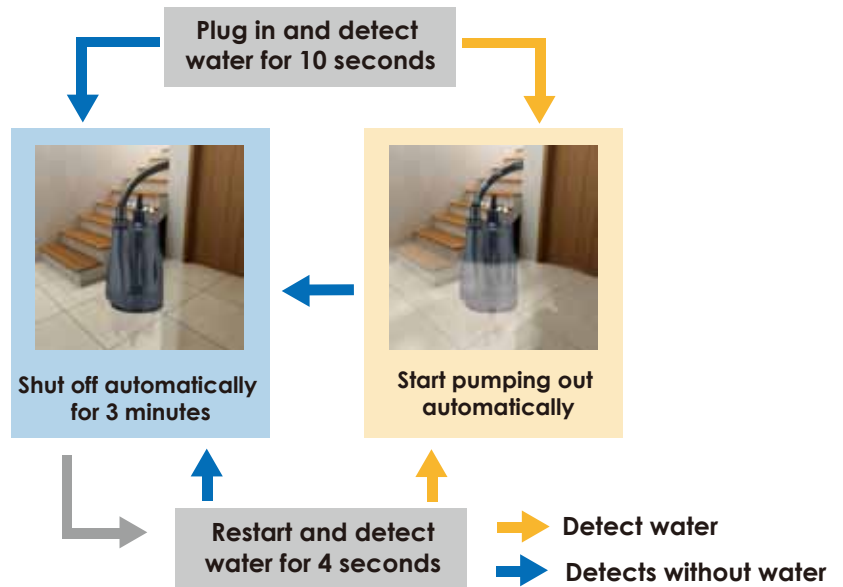
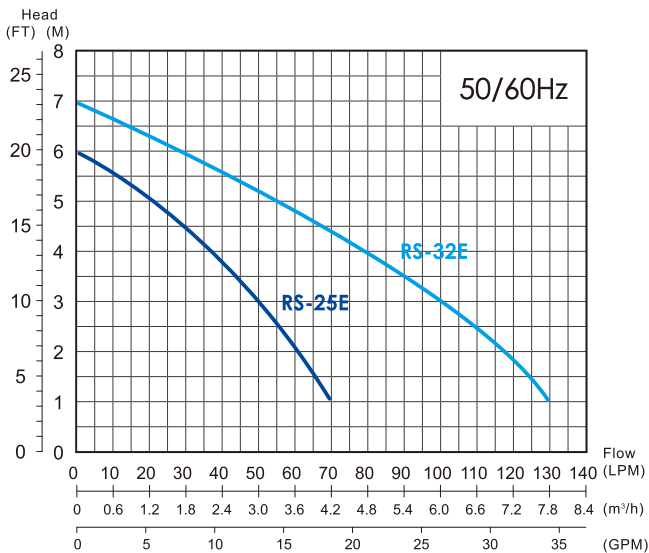
FOUNTAIN



| Dimension |     |     |     |
|-----------|-----|-----|-----|
| Model     | A   | B   | C   |
|           | mm  | mm  | mm  |
| RS-25E    | 155 | 155 | 240 |
| RS-32E    | 155 | 155 | 240 |



| Construction |                     |          |     |             |          |
|--------------|---------------------|----------|-----|-------------|----------|
| No.          | Description         | Material | No. | Description | Material |
| 1            | Motor Housing       | RTP      | 11  | Packing     | NBR      |
| 2            | Impeller            | NYLON+GF | 12  | Capacitor   |          |
| 3            | Pump Casing         | PP+GF    | 13  | Oil Seal    | NBR      |
| 4            | Strainer            | PP+GF    | 14  | O-Ring      | NBR      |
| 5            | Upper Bearing Cover | ADC12    | 15  | Packing     | NBR      |
| 6            | Lower Bearing Cover | ADC12    | 16  | Handle      | SUS304   |
| 7            | Shaft               | SUS410   | 17  | Power Cable |          |
| 8            | Coil                | C60      | 18  | Discharge   | PP       |
| 9            | Upper Bearing       |          | 19  | O-Ring      | NBR      |
| 10           | Lower Bearing       |          | 20  | O-Ring      | NBR      |



| Specifications |        |     |        |        |                    |                |                 |     |      |    |      |              |                         |           |
|----------------|--------|-----|--------|--------|--------------------|----------------|-----------------|-----|------|----|------|--------------|-------------------------|-----------|
| Model No.      | Output |     | Outlet |        | Pass Solid Dia(mm) | Max Flow (LPM) | LPM Flow @ Head |     |      |    |      | Max Head (M) | Dimension L x W x H(mm) | Weight Kg |
|                | HP     | W   | mm     | inch   |                    |                | 1.5M            | 3M  | 4.5M | 6M | 7.5M |              |                         |           |
| RS-25E         | 1/6    | 100 | 25     | 1"     | 3                  | 70             | 65              | 50  | 30   | -  | -    | 6            | 155 x 155 x 240         | 3.2       |
| RS-32E         | 1/4    | 200 | 32     | 1-1/4" | 3                  | 130            | 125             | 100 | 65   | 30 | -    | 7            | 155 x 155 x 240         | 4.2       |