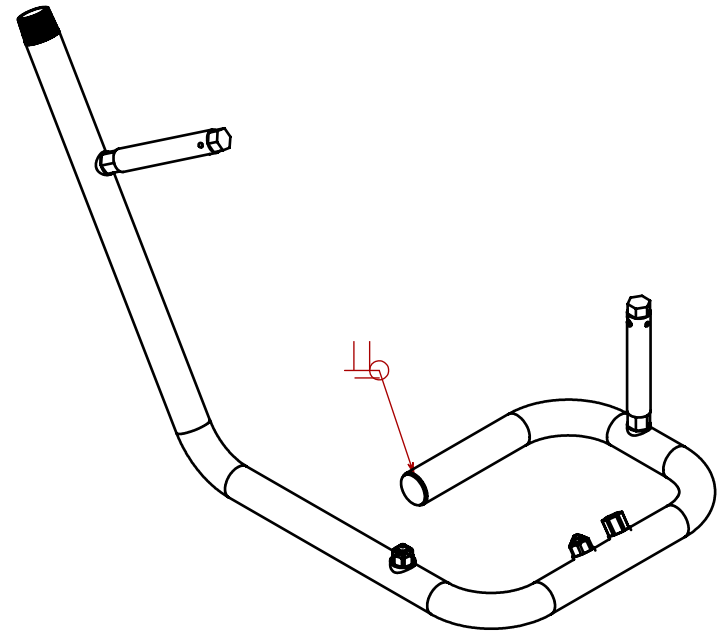
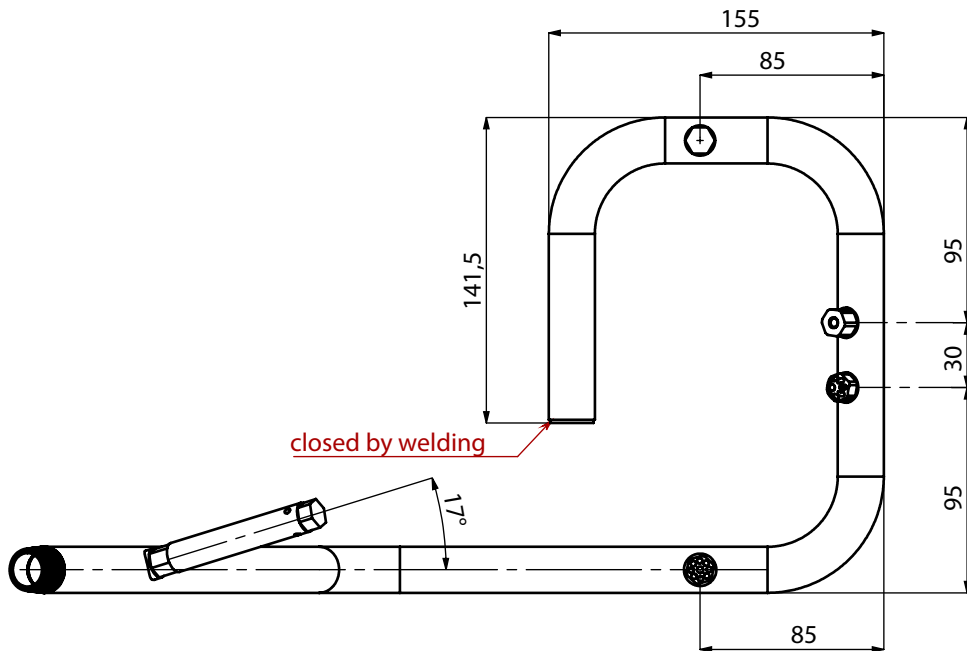
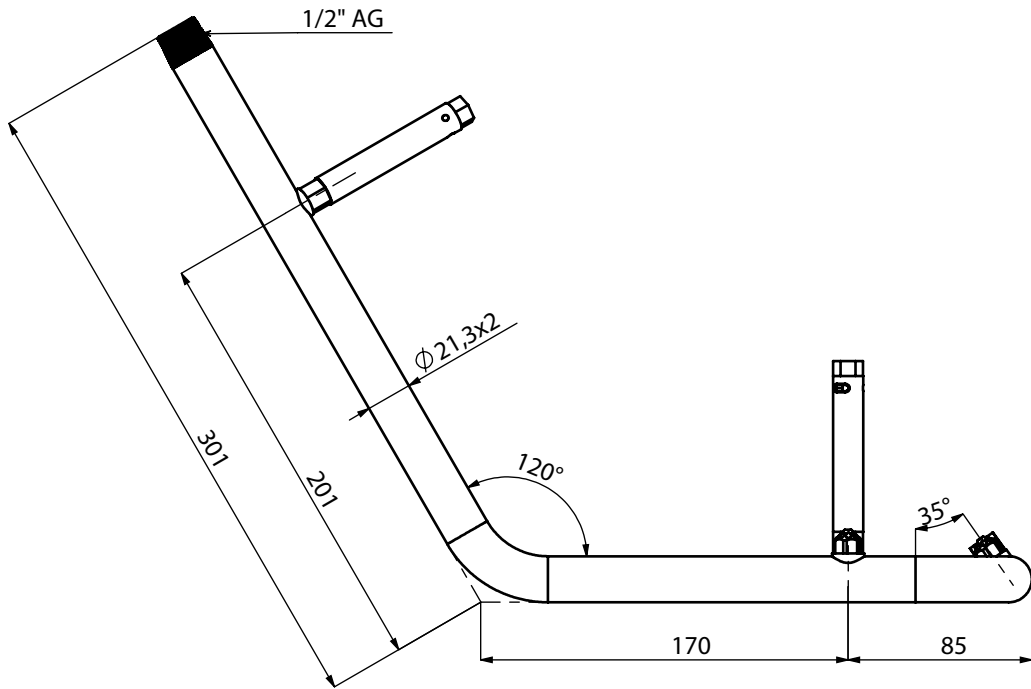


26-Nov-19

Tolerance	Tolerances / mm. / for a nominal size. DIN ISO 2768-1(1991-06)								WEIGHT: kg.	Date of creation: 20-Nov-19 11:00:47
	0,5 to 3	from 3 to 6	from 6 to 30	from 30 to 120	from 120 to 400	from 400 to 1000	from 1000 to 2000	from 2000 to 4000	Area	Date of change: 26-Nov-19 12:58:32
m (medium)	+ - 0,1	+ - 0,1	+ - 0,2	+ - 0,3	+ - 0,5	+ - 0,8	+ - 1,2	+ - 2	N <sup>o</sup>	A01494



26-Nov-19

Tolerance	Tolerances / mm. / for a nominal size. DIN ISO 2768-1(1991-06)								WEIGHT: kg.	Date of creation: 20-Nov-19 11:00:47
	0,5 to 3	from 3 to 6	from 6 to 30	from 30 to 120	from 120 to 400	from 400 to 1000	from 1000 to 2000	from 2000 to 4000	Area	Date of change: 26-Nov-19 12:58:32
m (medium)	+ - 0,1	+ - 0,1	+ - 0,2	+ - 0,3	+ - 0,5	+ - 0,8	+ - 1,2	+ - 2	Nº	A01494