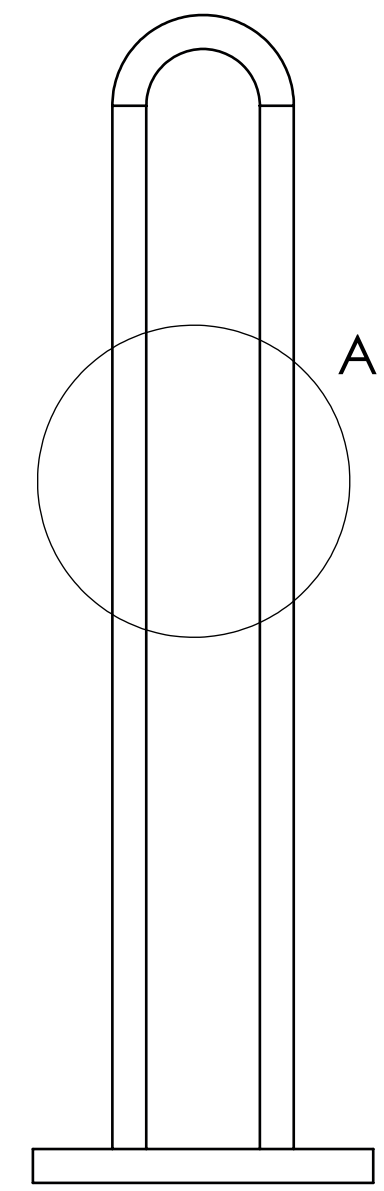
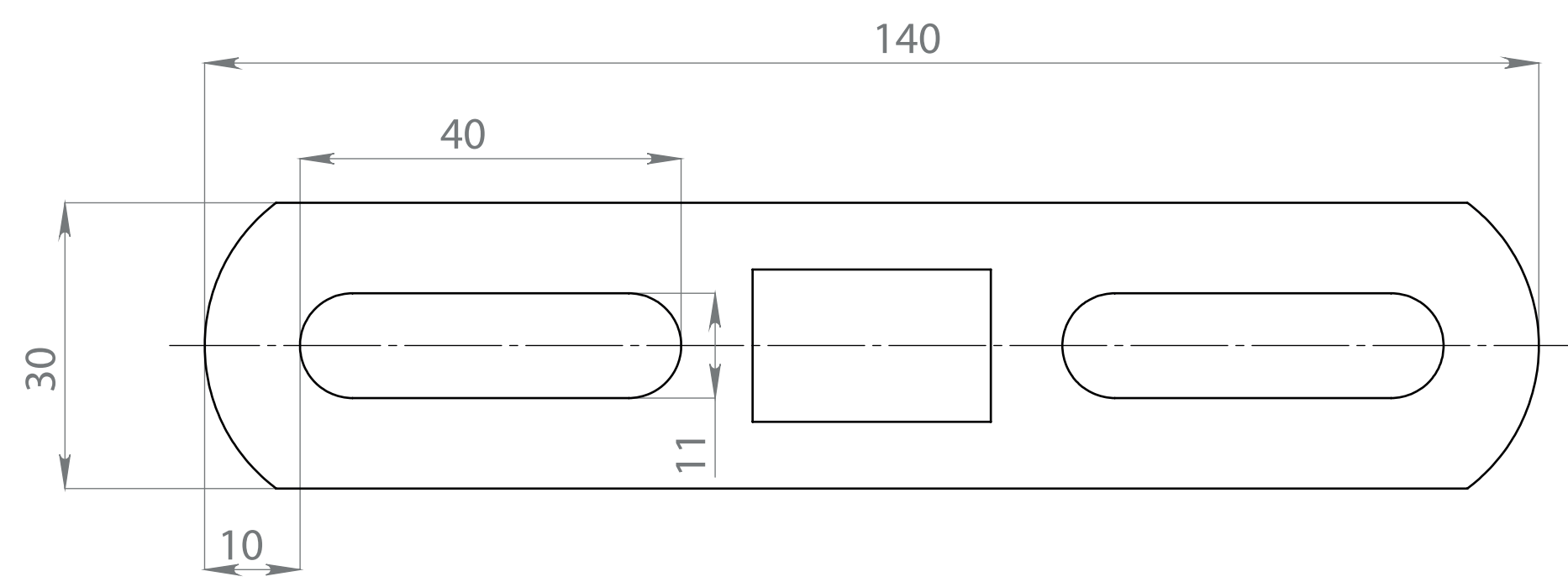
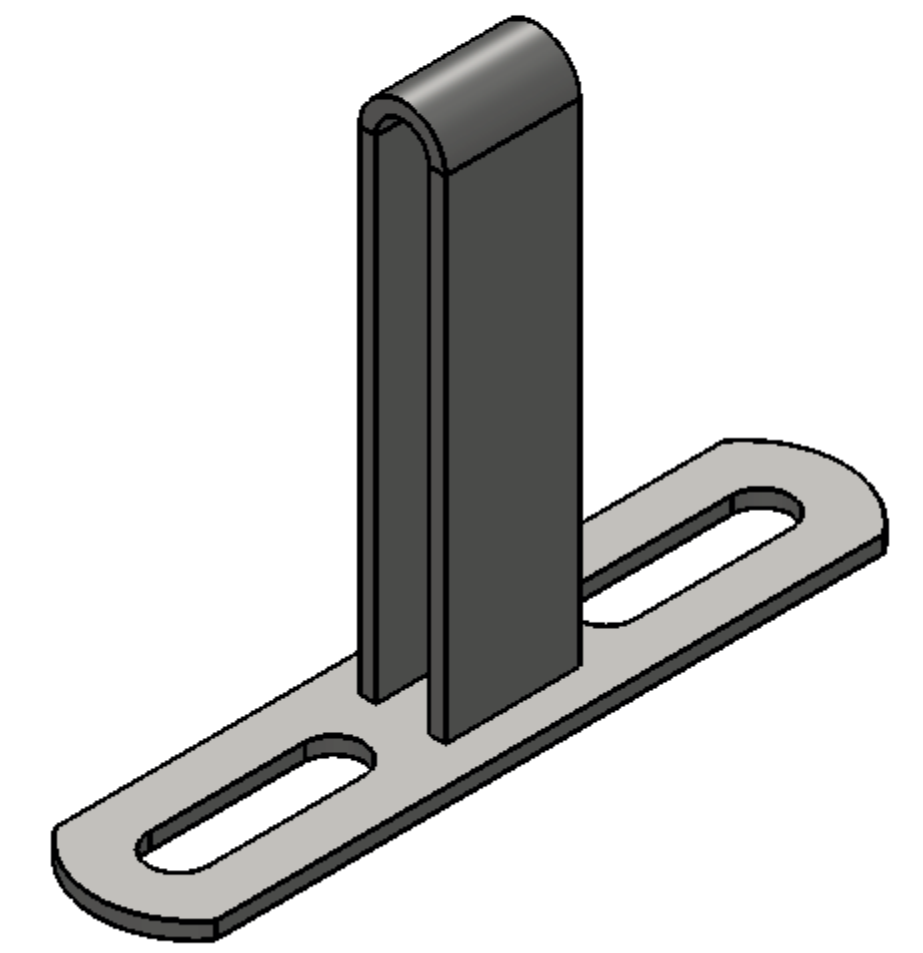
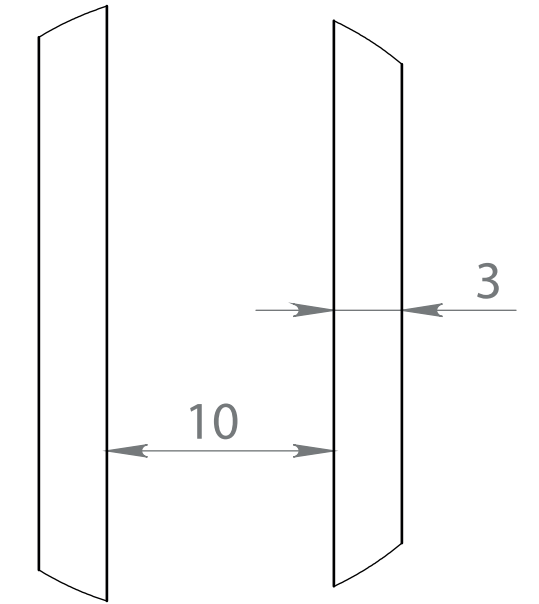


L: 100, 150, 250, 300



DETAIL A  
SCALE 3:1



UNLESS OTHERWISE SPECIFIED: DIMENSIONS ARE IN MILLIMETERS		FINISH: DATE		DO NOT SCALE DRAWING		Area 19584.40	
SURFACE FINISH:							
TOLERANCES:							
LINEAR:							
ANGULAR:							
DRAWN	NAME	SIGNATURE					
CHK'D							
APP'V'D							
MFG							
Q.A							
MATERIAL:				DWG NO.			
Material <not specified>				A01546-10   A01546-20   A01546-30			
WEIGHT: 0.20 kg.				SCALE: 1:1		SHEET 1 OF 1	

