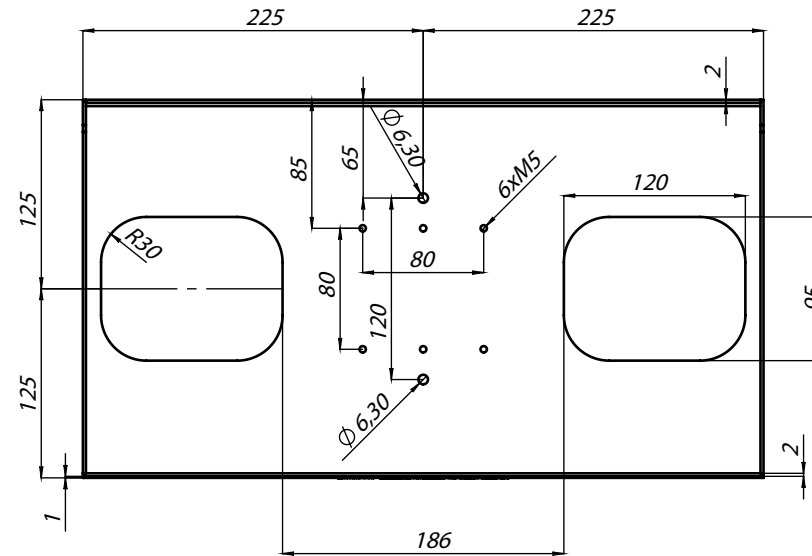
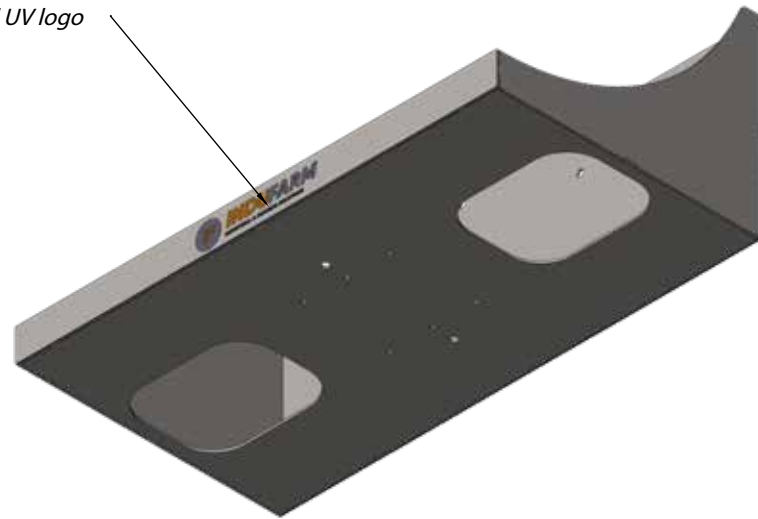


Colored UV logo



Tolerance	Допустими отклонения в / мм. / за номинален размер. DIN ISO 2768-1(1991-06)							WEIGHT: 3.612 kg. Area: 477181.968 mm ²	Date of creation: 1.8.2019 г. 14:10:40 Date of change: 31.7.2024 г. 10:08:51
	Tolerances / mm. / for a nominal size. DIN ISO 2768-1(1991-06)								
	0,5 to 3	from 3 to 6	from 6 to 30	from 30 to 120	from 120 to 400	from 400 to 1000	from 1000 to 2000	from 2000 to 4000	NAME: Dipl.-Ing. Alexandrov Material: AISI 304
m (medium)	+/- 0,1	+/- 0,1	+/- 0,2	+/- 0,3	+/- 0,5	+/- 0,8	+/- 1,2	+/- 2	№ 50617-13