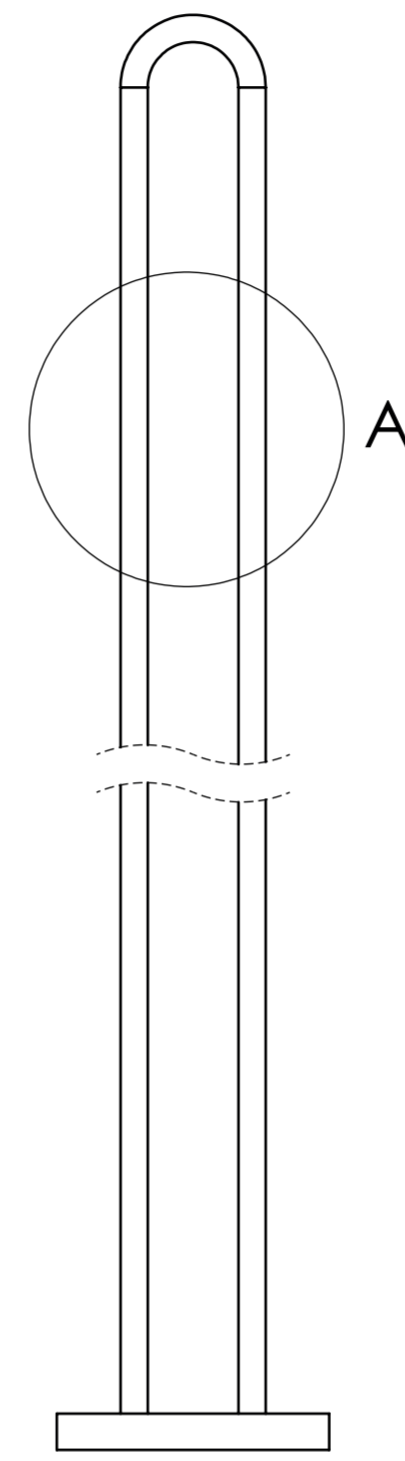
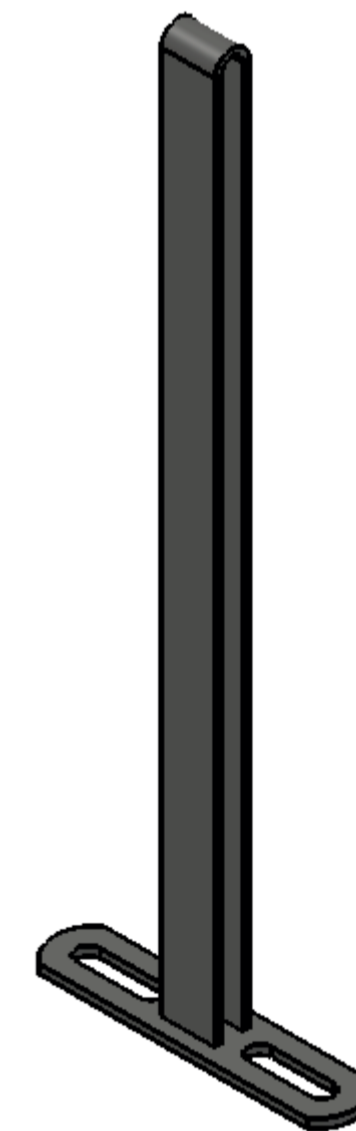
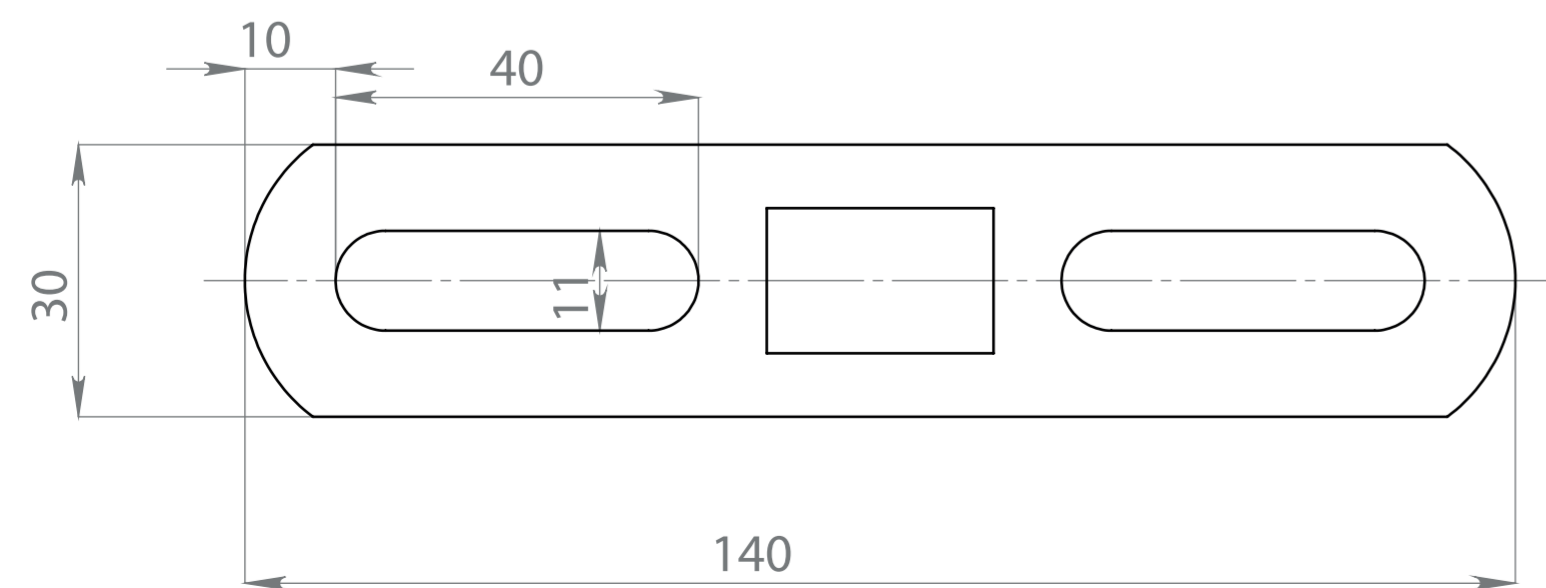
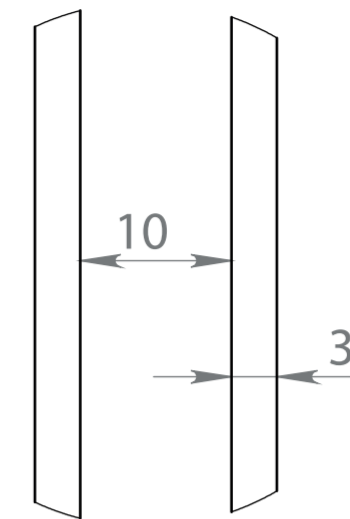


L: 400, 500, 600



DETAIL A
SCALE 2:1



UNLESS OTHERWISE SPECIFIED: DIMENSIONS ARE IN MILLIMETERS		FINISH: DATE		DO NOT SCALE DRAWING		Area 53689.06	
SURFACE FINISH:							
TOLERANCES:							
LINEAR:							
ANGULAR:							
DRAWN	NAME	SIGNATURE					
CHK'D							
APP'V'D							
MFG							
Q.A							
				MATERIAL:		DWG NO.	
				Material <not specified>		A01546-400 A01546-500 A01546-600	
				WEIGHT: 0.59 kg.		SCALE: 1:2	
						SHEET 1 OF 1	

